

RFID Hang tag For Clothing-spec sheet



RFID Garment Tag is the greatest application where RFID technology impacts on the clothing industry. Through frequency signal, RFID garment tag can automatically identify target objects and obtain relevant data, identify Work without manual intervention.

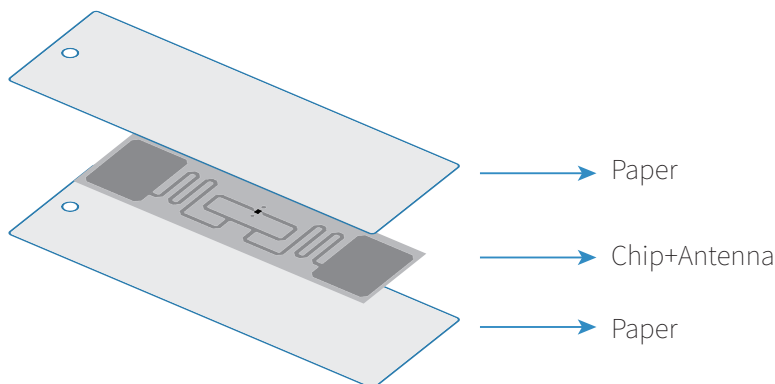
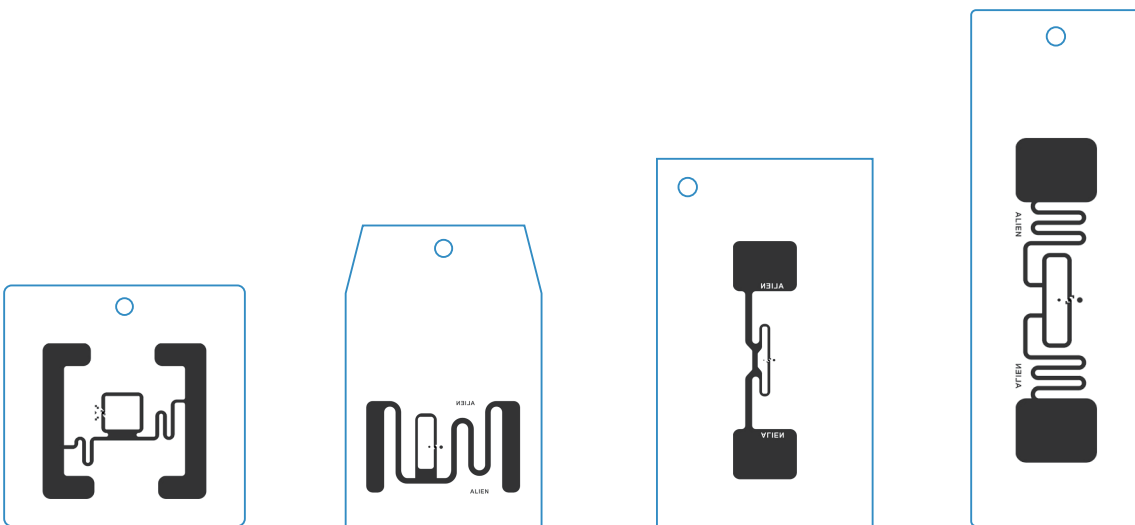
It can add all types of bad environment, identify the high-speed moving multi-tags at an equivalent time through RFID technology. Because of convenient operation, RFID garment tag can assist you to unravel various problems of clothes shops and storage areas, which will improve the work efficiency.

Parameters

Item	RFID Hang tag For Clothing	Color	Blue and black	Working Temperature	-25°C to 65°C
Material	Paper/PET/PP	Size	6cm12cm/8cm10cm or customized	Data Retention Time	10 years
Write Endurance	100000 times	Chip	Alien H3/MONZA R6/R6-P	Protocol	UHF: ISO 18000-6C
Frequency	860-960MHz (EPC Gen2)	Reading Distance	0-10m	R/W	Read/ Write

Dimensional Diagram

Customized



Available chips

860~960 MHz UHF Chips

Chip Name	Protocol	Capacity	Frequency
Alien H3	ISO18000-6C	512 bits	860~960 MHz
Impinj Monza 4	ISO18000-6C	96 bits	860~960 MHz
UCODE G2iL	EPCglobal Class1Gen2	128 bits	860~960 MHz

Feature

- ▶ Long read range of up to 0-10m(depands on reader, antenna)
- ▶ Multiple and simultaneous reading
- ▶ Allow different size and material for your application
- ▶ Conforms to the ISO/IEC 18000-6 Type C standard
- ▶ Support OEM&ODM
- ▶ Can be custom printed

APPLICATIONS

- Garment Retail Managemen
- Apparel Inventory Management
- Clothing Supply Chain