

RFID Adhesive Labels-spec sheet



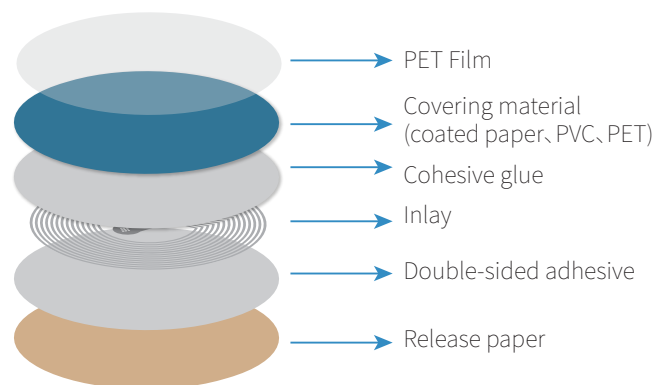
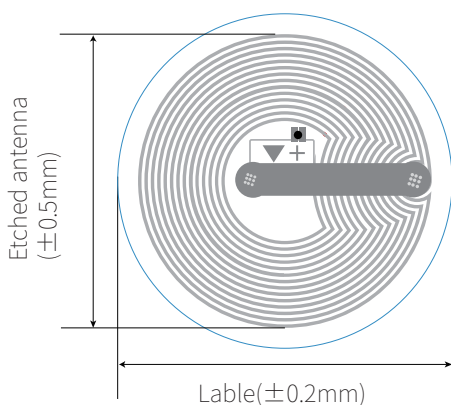
RFID Adhesive Label has a special design with an adhesive layer that can be easy to peel off and stick on the target object. You can choose LF chips, HF chips, or UHF chips to embed in it according to the applications.

RFID Adhesive Tags widely apply to asset management, library management, jewelry tracking, and so on. Good adhesive labels have good stickiness and are not easy to fall off. Of course, they must have good RF performance.

Parameters

Item	RFID Adhesive Labels	Color	Custom	Surfaces	Frosted, Glossy, Matte Finishing
Optional Material	Paper, Epoxy, etc	Printing Options	Silk-screen printing, Laser Engraving, CMYK full color, Pantone, etc.	Frequency	125kHz, 13.56MHz or 860-960MHz
Chip	Ntag213, Ntag216, Ntag215, TOPAZ512, F08, etc	Protocol	ISO14443A	Size	φ15 mm, φ20 mm, φ21 mm φ25 mm, φ 27 mm, φ 34 mm 25X38 mm, 26X11 mm, 52X15 mm 45X45mm, 45X76mm, 40X71mm Or custom
Memory	Depend on chip	Working Temperature	-30°C to 200°C		

Dimensional Diagram



Available chips

Available 125KHz Chip

Common Chip Types	Protocol	Capacity	Anti-collision	Function
TK4100	ISO 11784/11785	64 bits	No	Read Only
EM4200	ISO 11784/11785	128 bits	No	Read Only
EM4305	ISO 11784/11785	512 bits	No	Read/Write
T5577	ISO 11784/11785	330 bits	No	Read/Write

Available 13.56MHz Chip

Common Chip Types	Protocol	Capacity	Anti-collision	Function
NTAG® 213	ISO14443A	180 byte	No	Read/Write
NTAG® 215	ISO14443A	540 byte	No	Read/Write
NTAG® 216	ISO14443A	924 byte	No	Read/Write
MIFARE® Classic® 1K	ISO14443A	1 KB	No	Read/Write
MIFARE® Classic® 4K	ISO14443A	4 KB	No	Read/Write
MIFARE® Plus® S 1K	ISO14443A	2 KB/4 KB	No	Read/Write
MIFARE Ultralight® EV1	ISO14443A	80 byte	No	Read/Write
MIFARE Ultralight® C	ISO14443A	192 byte	No	Read/Write
ICODE® SLIX	ISO15693	1024 bit	Yes	Read/Write

Available 860-960MHz Chip

Common Chip Types	Protocol	Capacity	Anti-collision	Function
Alien H3	ISO18000-6C	512 bit	Yes	Read/Write

Feature

- ▶ Good viscosity, not easy to fall off
- ▶ High quality and low cost
- ▶ Manifold sizes, chips, shapes, materials are available
- ▶ Support customization service and wholesale

APPLICATIONS

- Asset Management
- Inventory Management
- Jewelry forgery prevention
- Library Management
- Car windshield labels
- Logistics Tracking