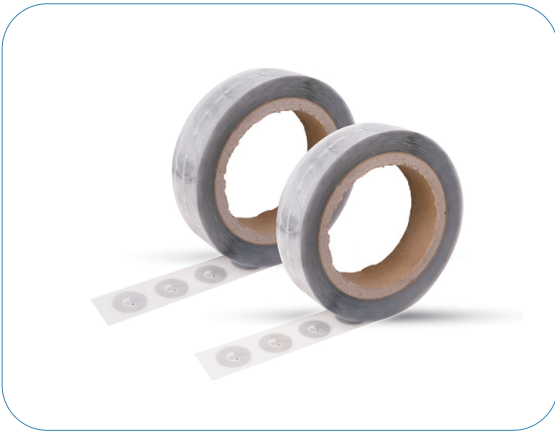


## Dia 15mm HF RFID Inlay-spec sheet



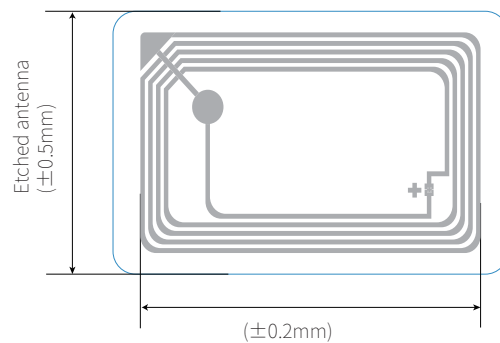
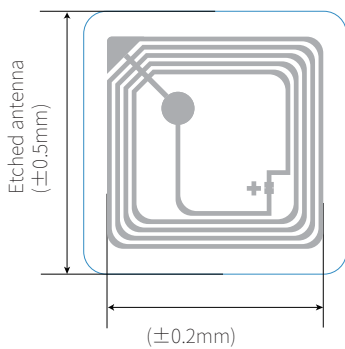
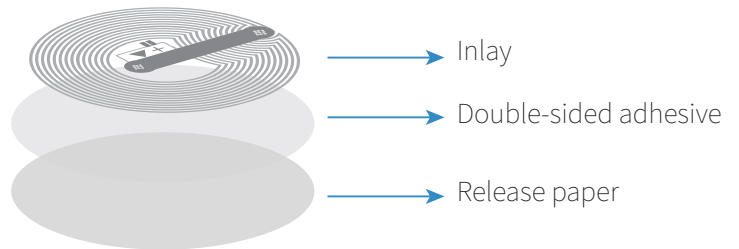
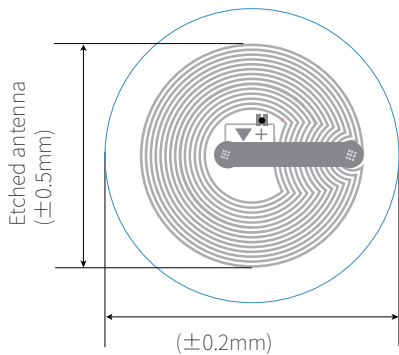
HF RFID Inlay is based on 13.56MHz communication technology. This RFID inlay features a small size that the diameter is only 15mm. With a wide selection choice of chips and antenna, you can customize it.

Dia 15mm HF RFID Inlay, as a vital part of RFID tags, can be encapsulated into many kinds of RFID tags, such as NFC tag, RFID keyfob, etc.

### Parameters

Item	Dia 15mm HF RFID Inlay	Material	Coated paper, Glossy paper Matte paper, or PET	Working Temperature	-25-65°C
Antenna Material	Aluminum	Size	Dia15mm or Customized	Data Retention Time	10 years
Chip	Ntag213, Ntag215, Ntag216, Ultralight /F08/I code sli/I code sliX etc	Crafts Available	Logo or number printing, Bar code QR code, etc.	Printing Options	Silk-screen printing, Laser Engraving, CMYK full color, Pantone, etc.
Frequency	13.56 MHz	Reading Distance	0-10cm	Write Endurance	100000 times
Protocol	ISO14443/ISO15693				

### Dimensional Diagram



## Available chips

### HF 13.56 MHz Chips

Chip Name	Protocol	Capacity	Frequency
Ntag213	ISO14443A	180 byte	13.56 MHz
Ntag215	ISO14443A	540 byte	13.56 MHz
Ntag216	ISO14443A	924 byte	13.56 MHz
MIFARE Classic 1K	ISO14443A	1 KB	13.56 MHz
MIFARE Classic 4K	ISO14443A	4 KB	13.56 MHz
MIFARE Ultralight EV1	ISO14443A	80 byte	13.56 MHz
MIFARE Ultralight C	ISO14443A	192 byte	13.56 MHz
ICODE SLIX	ISO15693	1024 bits	13.56 MHz

## Feature

- ▶ Operating at 13.56MHz frequency
- ▶ Long Read-write distance & stable performance
- ▶ Fast reading and writing speed & sensitive signal response
- ▶ The volume label of any size can be designed
- ▶ Various materials and soft texture that can be arbitrarily packaged
- ▶ Can read multiple at the same time, with anti-collision function
- ▶ Support for customized services

## APPLICATIONS

- New retail Management
- Asset management
- Access Control Management
- Pharmaceutical logistics system management
- Enterprise park
- Anti-counterfeiting application
- Tooling washing management
- Large conference personnel access system
- Jewelry inventory management
- Intelligent shelf management