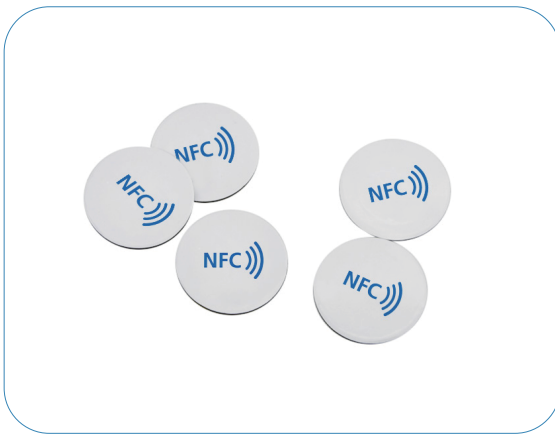


Anti-metal Tags With Mifare 1K-spec sheet



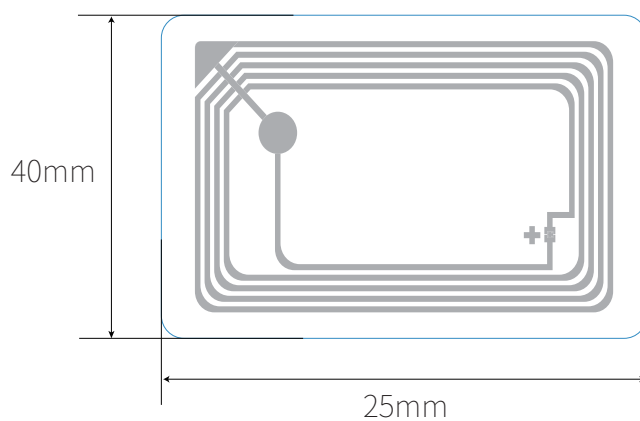
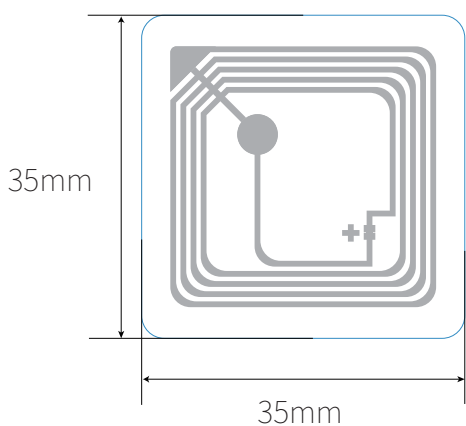
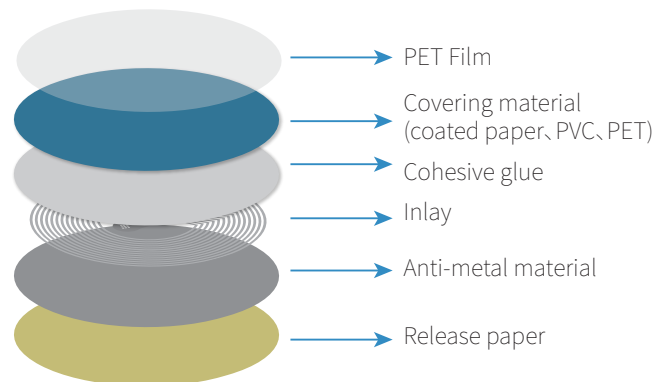
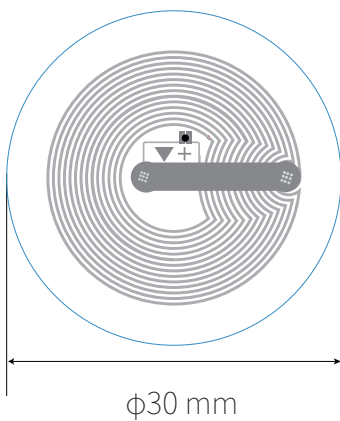
This RFID Anti-metal tag is embedded with the most classic RFID chip- Mifare 1K, working on 13.56 MHz, among high-frequency anti-metal tag. It can work on the metal surface, for example, sticking on your mobile phone to achieve some NFC interaction.

Xinyetong Mifare 1K NFC anti-metal tags not only meet industry standards but also have superior quality and low cost. Each tag has passed the strict quality inspection before it reaches your hands. Besides, we can provide customized service of NFC anti-metal tags.

Parameters

Item	Mifare 1K Anti-metal Tag	Color	Customizable	Working Temperature	-25°C to 65°C
Optional Material	PVC, PET, Coated paper Microwave absorbing material	Printing Options	Silk-screen printing, Laser Engraving, CMYK full color, Pantone, etc.	Eeprom	1024Byte
Chip	Mifare 1K	Frequency	13.56 MHz	Write Endurance	100000 times
Craft	Logo or number printing, Bar code, QR code, etc.				

Dimensional Diagram



Available chips

HF 13.56 MHz Chips

Chip Name	Protocol	Capacity	Frequency
Ntag213	ISO14443A	180 byte	13.56 MHz
Ntag215	ISO14443A	540 byte	13.56 MHz
Ntag216	ISO14443A	924 byte	13.56 MHz
MIFARE Classic 1K	ISO14443A	1 KB	13.56 MHz
MIFARE Classic 4K	ISO14443A	4 KB	13.56 MHz
MIFARE Ultralight EV1	ISO14443A	80 byte	13.56 MHz
MIFARE Ultralight C	ISO14443A	192 byte	13.56 MHz
ICODE SLIX	ISO15693	1024 bits	13.56 MHz

Feature

- ▶ Data transfer of 106 Kbit/s
- ▶ Data integrity of 16-bit CRC, parity, bit coding, bit counting
- ▶ Typical ticketing transaction time of <100ms (including backup management)
- ▶ Operating distance up to 100mm (depending on antenna geometry and reader configuration)
- ▶ Waterproof, acid-proof, alkali-proof, and collision-resistant
- ▶ Contactless transmission of data and supply energy
- ▶ Operating frequency of 13.56MHz
- ▶ Various styles and colors are available

APPLICATIONS

- Mobile interaction
- Warehouse assets management
- Application of other metal surfaces
- Medical device management
- Consumer electronics
- Vehicle Management
- Indoor Equipment Management