

RFID Windshield Tag With Alien H3 9654-spec sheet

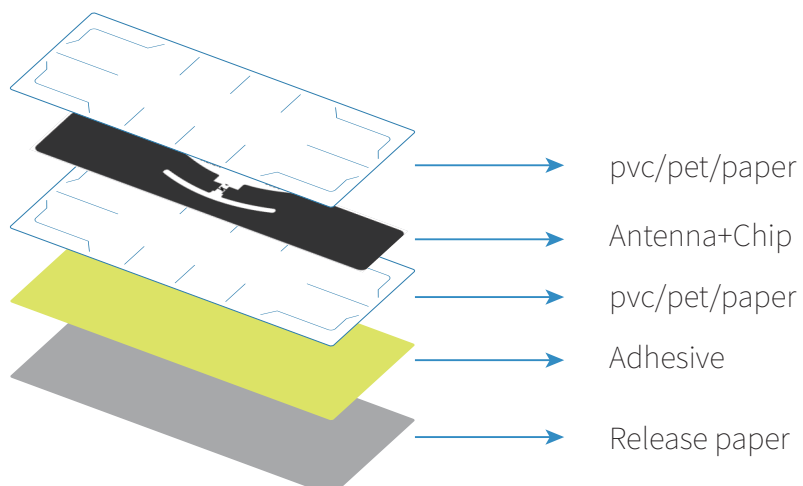
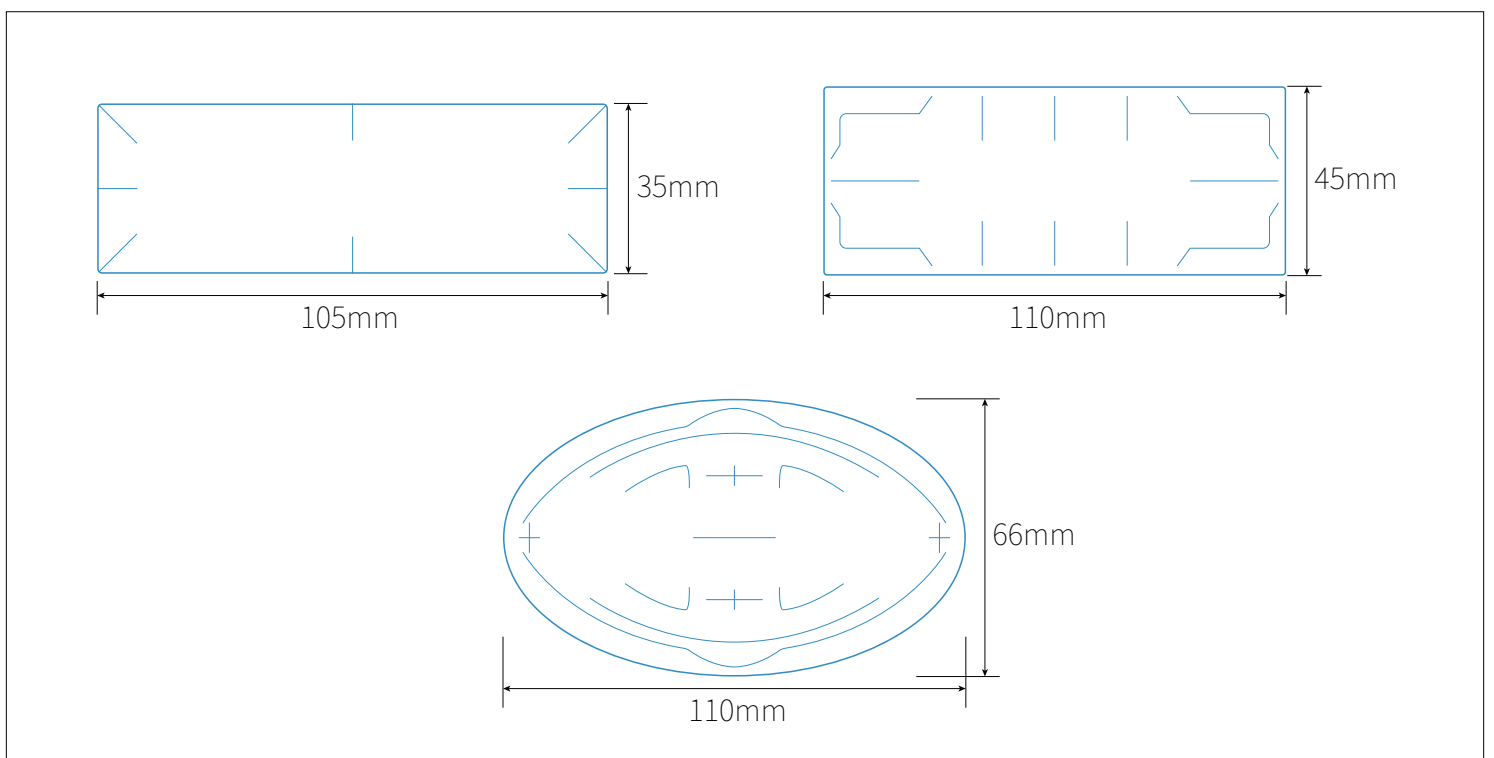


RFID windshield tag is also known as RFID car sticker, is attached to the front windshield inside of a vehicle, mainly used for vehicle access, highway tolls, parking, toll collection and access control areas. Are you looking for an RFID windshield tag that perfectly matches your RFID system, making your RFID system more popular and help you win more orders? Here it is!

Parameters

Item	RFID windshield tag	Material	High quality PVC, PET or Paper	Color	print pantone colors (as per the file required)
Thickness	LF: 0.6-0.7mm HF/UHF: 0.18mm	Size	customized	Available Crafts	1.Print logo, number, UID 2.QR code, barcode in different types (39/EAN 13/EAN 128...)
Printing Option	Full color offset printing, Silk-screen printing, Silver/Gold silk-screen printing background on the both sides of card .				

Dimensional Diagram



Available chips

Available 125KHz Chip

Common Chip Types	Protocol	Capacity	Anti-collision	Function
TK4100	ISO 11784/11785	64 bits	No	Read Only
EM4200	ISO 11784/11785	128 bits	No	Read Only
EM4305	ISO 11784/11785	512 bits	No	Read/Write
T5577	ISO 11784/11785	330 bits	No	Read/Write

HF 13.56 MHz Chips

Chip Name	Protocol	Capacity	Frequency
Ntag213	ISO14443A	180 byte	13.56 MHz
Ntag215	ISO14443A	540 byte	13.56 MHz
Ntag216	ISO14443A	924 byte	13.56 MHz
MIFARE Classic 1K	ISO14443A	1 KB	13.56 MHz
MIFARE Classic 4K	ISO14443A	4 KB	13.56 MHz
MIFARE Ultralight EV1	ISO14443A	80 byte	13.56 MHz
MIFARE Ultralight C	ISO14443A	192 byte	13.56 MHz
ICODE SLIX	ISO15693	1024 bits	13.56 MHz

860~960 MHz UHF Chips

Chip Name	Protocol	Capacity	Frequency
Alien H3	ISO18000-6C	512 bits	860~960 MHz
Impinj Monza 4	ISO18000-6C	96 bits	860~960 MHz
UCODE G2iL	EPCglobal Class1Gen2	128 bits	860~960 MHz

Feature

- ▶ Read farther, up to 33 feet
- ▶ Anti-collision, multiple reads
- ▶ Sensitive and responsive
- ▶ High safety performance