

NFC Paper Tag- spec sheet



NFC paper tags have been produced and used NXP Ntag 213 chips. It has been developed to address, data storage, access control, etc.

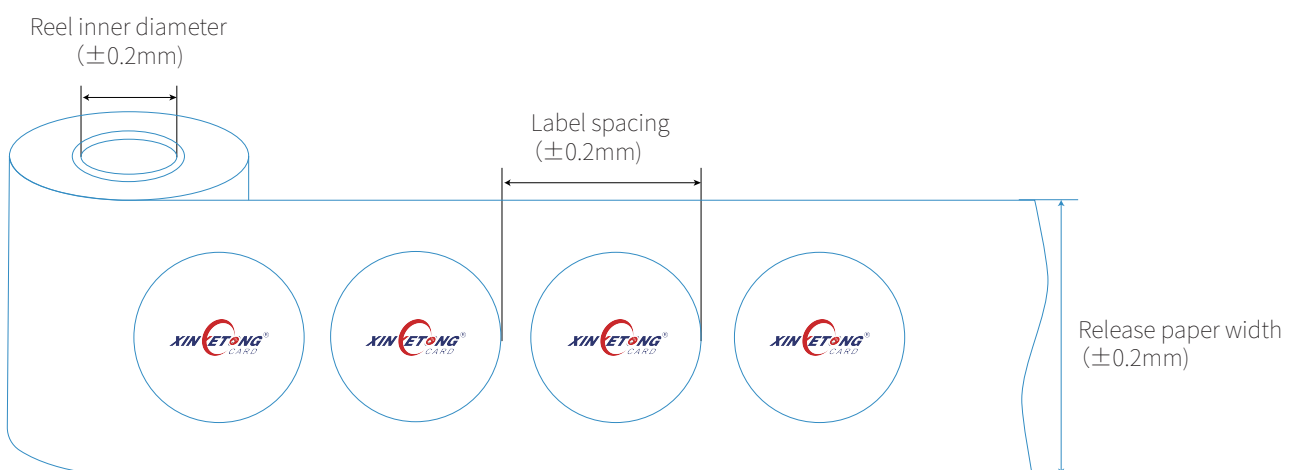
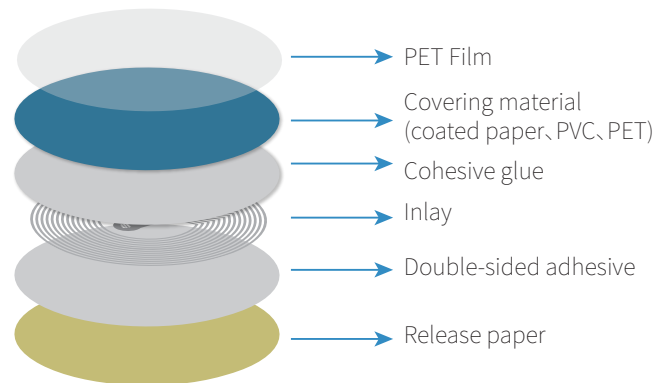
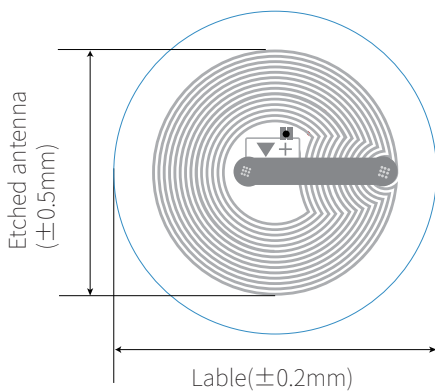
NFC paper tag can store URLs, text, SMS, etc., which is frequently used in media, payment occasions.

Xinyetong can design a special NFC Paper tag for you. Also, you can give the artwork, and we will customize it for you depending on your request.

Parameters

Item	NFC Paper Tag	Color	Pink, gold, purple, and custom	Working Temperature	-30°C to 200°C
Material	Paper	Size	φ20mm, φ21mm, 26X11mm, 52X15mm, 148mm X 210mm or Custom	Data Retention Time	10 years
Chip	NTAG213, Ntag216, TOPAZ512, NTAG215, F08, DESFIRE 2K 4K 8K, etc	Memory	depend on chip	Printing Options	Silk-screen printing, Laser Engraving, CMYK full color, Pantone, etc.
Frequency	13.56 MHz	Reading Distance	1-5cm	Write Endurance	100000 times
Protocol	ISO14443A				

Dimensional Diagram



Available chips

HF 13.56 MHz Chips

Chip Name	Protocol	Capacity	Frequency
Ntag213	ISO14443A	180 byte	13.56 MHz
Ntag215	ISO14443A	540 byte	13.56 MHz
Ntag216	ISO14443A	924 byte	13.56 MHz
MIFARE Classic 1K	ISO14443A	1 KB	13.56 MHz
MIFARE Classic 4K	ISO14443A	4 KB	13.56 MHz
MIFARE Ultralight EV1	ISO14443A	80 byte	13.56 MHz
MIFARE Ultralight C	ISO14443A	192 byte	13.56 MHz
ICODE SLIX	ISO15693	1024 bits	13.56 MHz

Feature

- ▶ Working on 13.56 MHz frequency
- ▶ Can realize the mobile phone interaction
- ▶ Can be printed in 1 to full color on both sides
- ▶ Various chips, sizes, crafts, colors are available
- ▶ Support all NFC-enable cellphone or other NFC devices
- ▶ Printable that you can put any pattern on it
- ▶ Offer design services, or you can directly provide the design draft
- ▶ Support for custom service

APPLICATIONS

- Retail Environment
- Games & Toys
- Media & Ads
- Loyalty Apps
- Social Media
- Location
- Business Cards
- Electronics Pairing
- Product Authentication
- Ticketing & Payment
- Library Management