

RFID Library Bookshelf Tag-spec sheet



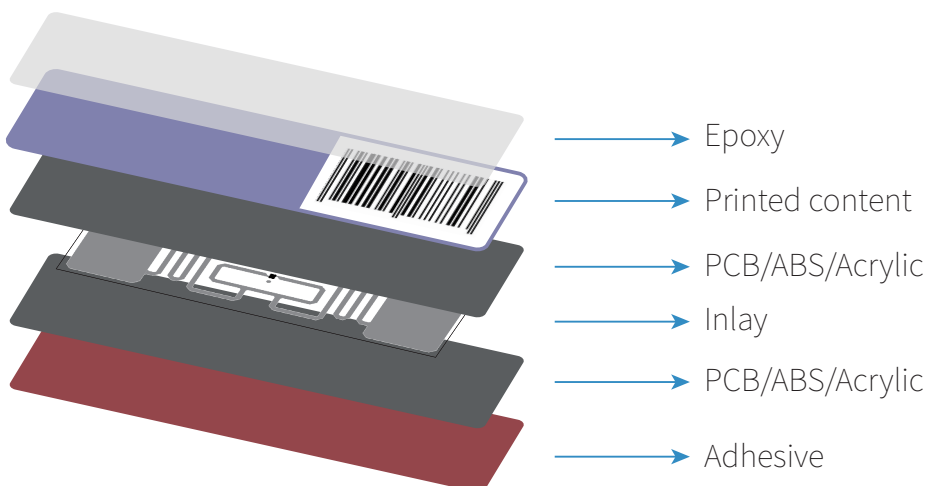
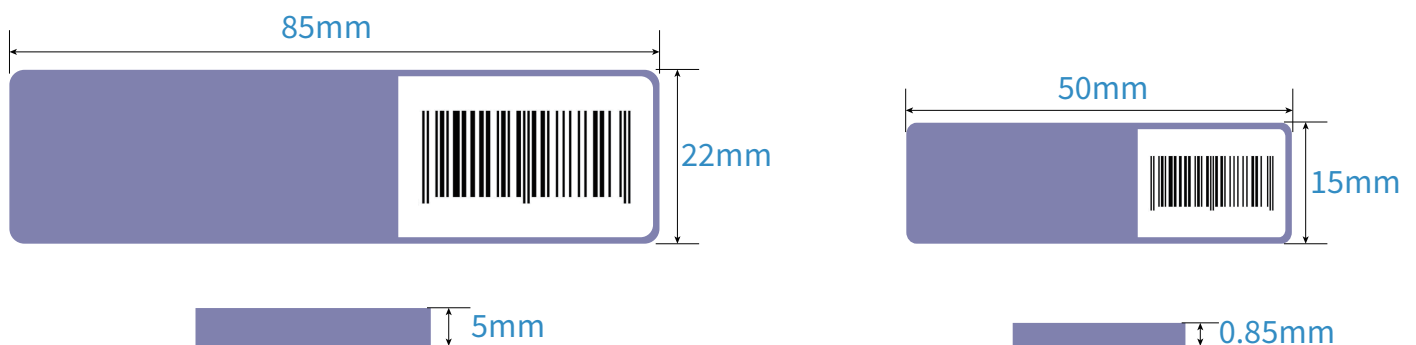
RFID Library Bookshelf Tag plays an important role in the intelligent library system. It has strong back glue, which is generally installed on the bookshelf, and it can store a lot of book information, including book name, book number, book type, borrowing and so on, to better manage the books on the same shelf.

RFID Shelf Tag is mainly made of PCB or ABS material, and special absorbing materials are added to avoid the impact of metal shelves on the labels. Besides, the surface can also be attached with a layer of acrylic or dripping glue, looking more beautiful. Embedded RFID chips are generally high-frequency or ultra-high frequency, you are free to choose.

Parameters

Item	RFID shelf tag for library	Color	Can be printing as your requirement	Working Temperature	-40°C to 85°C
Material	PCB, ABS, Acrylic	Crafts Option	Serial number / UID number laser / Inkjet serial number	Frequency	13.56 MHz or 860-960 MHz
Size	50×15×0.85mm 85×22×5mm or customized	Chip	Alien H3/I CODE SLIX/ NXP G2XM or Custom	Write Endurance	100000 times
Protocol	ISO/IEC 18000-6C, ISO15693	Reading distance	0-10cm(depends on the reader and environment)		

Dimensional Diagram



Available chips

Available 13.56MHz Chip

Common Chip Types	Protocol	Capacity	Anti-collision	Function
NTAG® 213	ISO14443A	180 byte	No	Read/Write
NTAG® 215	ISO14443A	540 byte	No	Read/Write
NTAG® 216	ISO14443A	924 byte	No	Read/Write
MIFARE® Classic® 1K	ISO14443A	1 KB	No	Read/Write
MIFARE® Classic® 4K	ISO14443A	4 KB	No	Read/Write
MIFARE® Plus® S 1K	ISO14443A	2 KB/4 KB	No	Read/Write
MIFARE Ultralight® EV1	ISO14443A	80 byte	No	Read/Write
MIFARE Ultralight® C	ISO14443A	192 byte	No	Read/Write
ICODE® SLIX	ISO15693	1024 bit	Yes	Read/Write

860~960 MHz UHF Chips

Chip Name	Protocol	Capacity	Frequency
Alien H3	ISO18000-6C	512 bits	860~960 MHz
Impinj Monza 4	ISO18000-6C	96 bits	860~960 MHz
UCODE G2iL	EPCglobal Class1Gen2	128 bits	860~960 MHz

Feature

- ▶ Operate at 13.56MHz or 860~960MHz (according to the chip)
- ▶ Operating distance up to 100mm (depending on antenna geometry and reader configuration)
- ▶ Various sizes, chips, crafts, colors that you can choose
- ▶ Support for customized services
- ▶ Good metal resistance, long-distance reading & writing
- ▶ High-temperature resistance, acid and alkali resistance, waterproof
- ▶ Multi-tag recognition, high sensitivity, high speed
- ▶ Unique global identification code

APPLICATIONS

- Library management
- Asset management
- File management
- Logistics management
- Metal shelves management
- Hospital equipment management
- Metal equipment supply chain management
- Reusable plastic or metal pallet