

## NTAG21x NFC STICKERS-spec sheet



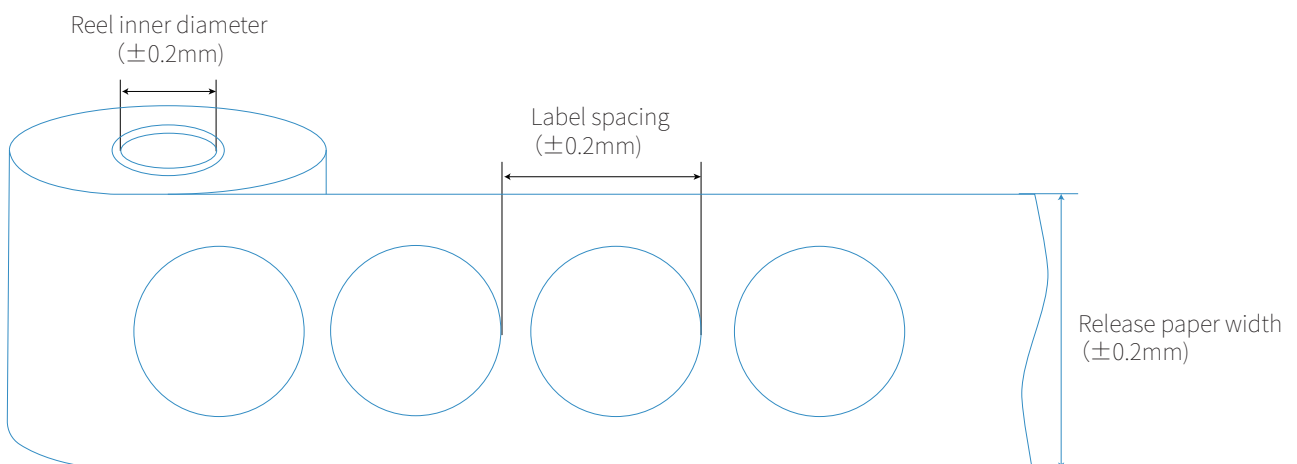
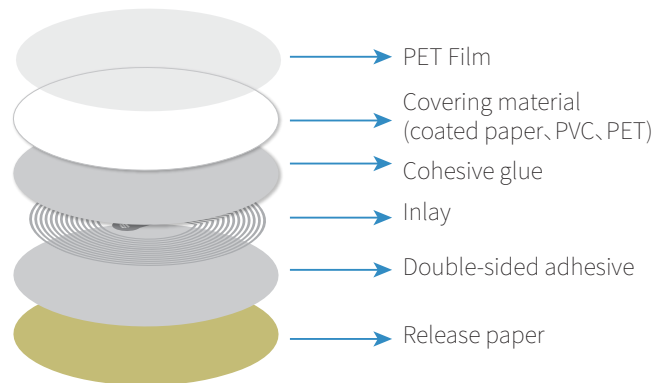
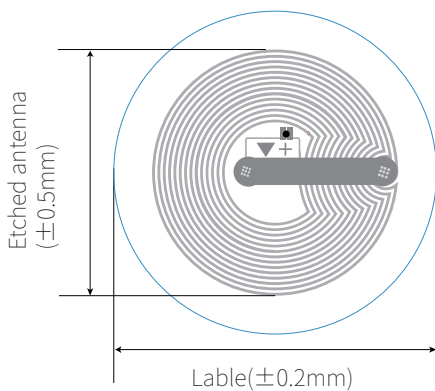
Are you looking for a powerful NFC sticker? NTAG21X NFC stickers are the good choice.

- Our NTAG21x NFC Stickers have good compatibility, strong performance, more secure and reliable.
- Better RF performance, offers a choice of memory sizes ranging from 48 to 888 bytes.
- Bang for the buck, we are responsible for all our products, you can rest assured.
- Fast delivery and good packaging to ensure that they arrive intact and in time.

### Parameters

Item	NTAG21x NFC STICKERS	Color	Pink, gold, purple, and custom	Working Temperature	-25-65°C
Material	Paper	Size	30*30mm, 35*35mm, 45*45mm,etc.	Data Retention	10 years
Chip	NTAG21x	Date Transfer	106 Kbit/s	Printing Options	Silk-screen printing, Laser Engraving, CMYK full color, Pantone, etc.
Frequency	13.56 MHz	Reading Distance	0-10cm	Write Endurance	100000 times
Protocol	ISO14443A				

### Dimensional Diagram



## Available chips

### HF 13.56 MHz Chips

Chip Name	Protocol	Capacity	Frequency
Ntag213	ISO14443A	180 byte	13.56 MHz
Ntag215	ISO14443A	540 byte	13.56 MHz
Ntag216	ISO14443A	924 byte	13.56 MHz
MIFARE Classic 1K	ISO14443A	1 KB	13.56 MHz
MIFARE Classic 4K	ISO14443A	4 KB	13.56 MHz
MIFARE Ultralight EV1	ISO14443A	80 byte	13.56 MHz
MIFARE Ultralight C	ISO14443A	192 byte	13.56 MHz
ICODE SLIX	ISO15693	1024 bits	13.56 MHz

## Feature

- ▶ 32-bit password authentication to protect the data stored in the tag
- ▶ Integrated originality signature to make anti-counterfeiting simple and efficient
- ▶ Manufacturer programmed 7-byte UID for each device
- ▶ Pre-programmed capability container with one time programmable bits
- ▶ Password protection
- ▶ Fast read command
- ▶ Intelligent anticollision
- ▶ Field programmable read-only locking function

## APPLICATIONS

- Smart advertisement
- Product authentication
- Mobile companion tags
- Electronic shelf labels
- Bluetooth or Wi-Fi pairing
- Business cards