

HF Jewelry Tag-spec sheet



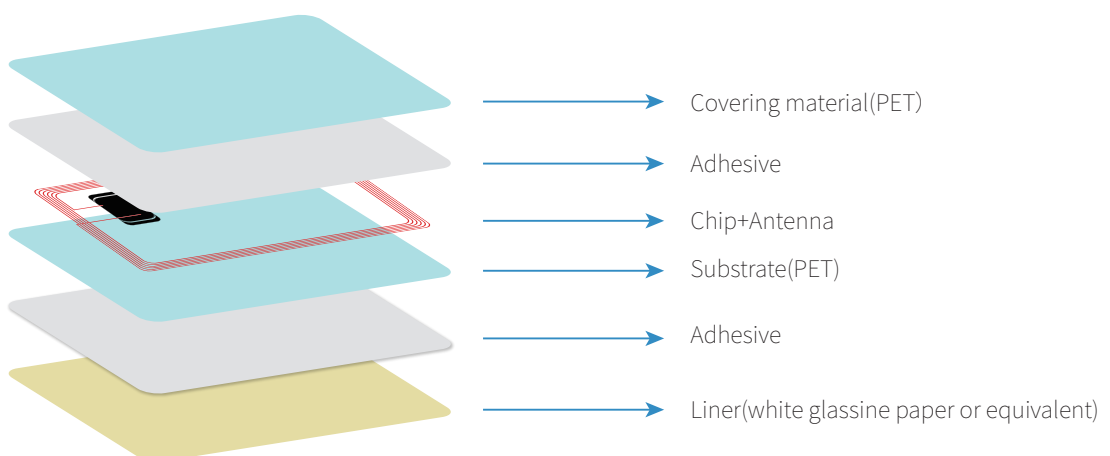
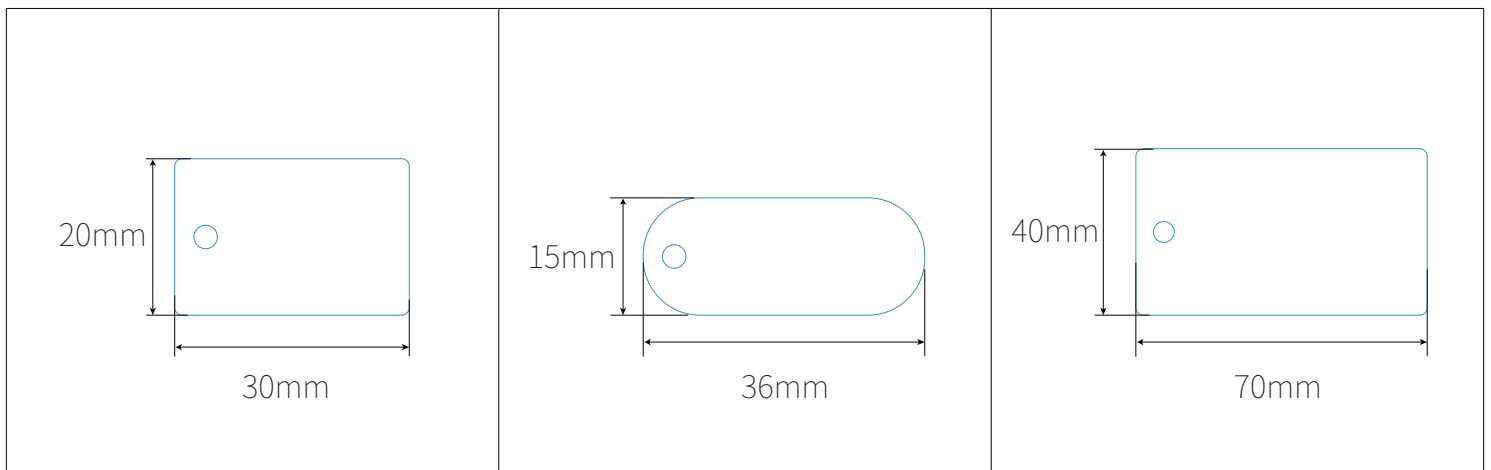
HF Jewelry Tag, working at 13.56MHz, is mainly used for the identification of jewelry. Each jewelry tag has a globally unique ID number and records the weight, purity, grade, location, warehouse, shelves and other information of the jewelry, which is convenient for the management of jewelry.

HF Jewelry Tag is widely used in identification and tracking of jewelries like rings, necklaces and ear rings as well as sunglasses, watches, and other accessories.

Parameters

Item	HF Jewelry Tag	Color	Pink, gold, purple, and custom	Working Temperature	-25 °c ~ +55°c
Material	PET,Paper	Unit Weight	0.5g-0.7g (Depending On The Chip, Material)	Data Retention Time	10 years
Chip	Classic 1K, Ultralight, NTAG213 NTAG216, Etc.	Reading Distance	2 cm-10cm	Printing Options	Silk-screen printing, Laser Engraving, CMYK full color, Pantone, etc.
Frequency	13.56 MHz	Write Endurance	100000 times	Protocol	ISO14443A

Dimensional Diagram



Available chips

HF 13.56 MHz Chips

Chip Name	Protocol	Capacity	Frequency
Ntag213	ISO14443A	180 byte	13.56 MHz
Ntag215	ISO14443A	540 byte	13.56 MHz
Ntag216	ISO14443A	924 byte	13.56 MHz
MIFARE Classic 1K	ISO14443A	1 KB	13.56 MHz
MIFARE Classic 4K	ISO14443A	4 KB	13.56 MHz
MIFARE Ultralight EV1	ISO14443A	80 byte	13.56 MHz
MIFARE Ultralight C	ISO14443A	192 byte	13.56 MHz
ICODE SLIX	ISO15693	1024 bits	13.56 MHz

Feature

- ▶ Operating at 13.56MHz
- ▶ Reading distance can reach up to 10cm
- ▶ Larger chip capacity options
- ▶ Multi Size and Material Available
- ▶ Strong security and Stability Performance
- ▶ Small size, will not affect the display of jewelry
- ▶ Not easy to be disturbed