

TOPAZ 512 NFC TAG-spec sheet



Customized size for Topaz 512 NFC Tag Sticker utilize fully the design innovation of high-tech, environmental protection, saving, and is a new era of science and technology achievements.

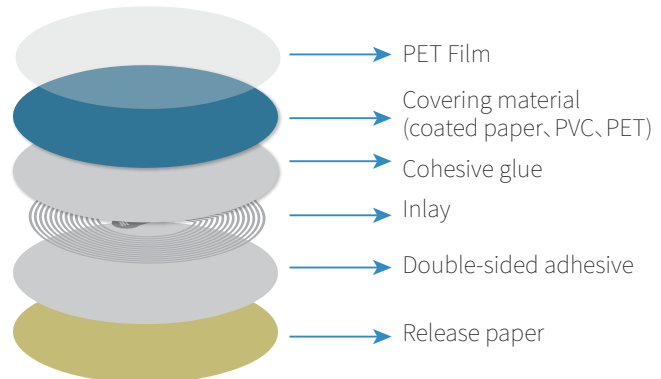
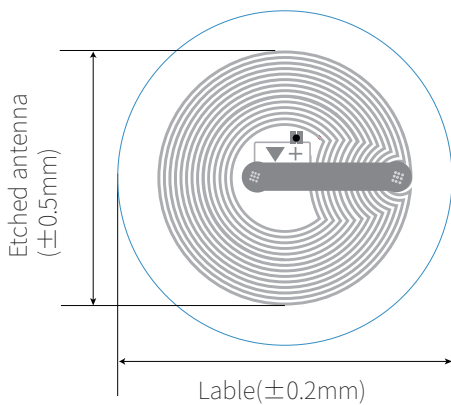
Wholesale Customized size for Topaz 512 NFC Tag Sticker will be provided the competitive price as our old customer.

Applications of the Customized size for Topaz 512 NFC Tag Sticker include Public Transport: subway tickets, bus RFID tickets, access control, identity authentication, payment, product marking, etc.

Parameters

Item	TOPAZ 512 NFC TAG	Color	Custom	Surfaces	Frosted, Glossy, Matte Finishing
Optional Material	PVC, Paper, PET, ABS, PET	Printing Options	Silk-screen printing, Laser Engraving, CMYK full color, Pantone, etc.	Frequency	13.56 MHz
Chip	S50, S70, Ultralight (512bit), Ultralight C, Fudan F08, NTAG203	Protocol	ISO14443A	Crafts Available	Barcode, Scratch off panel, Signature panel, Spray number, Laser number, Embossing, etc.

Dimensional Diagram



Available chips

Available 125KHz Chip

Common Chip Types	Protocol	Capacity	Anti-collision	Function
TK4100	ISO 11784/11785	64 bits	No	Read Only
EM4200	ISO 11784/11785	128 bits	No	Read Only
EM4305	ISO 11784/11785	512 bits	No	Read/Write
T5577	ISO 11784/11785	330 bits	No	Read/Write

Available 13.56MHz Chip

Common Chip Types	Protocol	Capacity	Anti-collision	Function
NTAG® 213	ISO14443A	180 byte	No	Read/Write
NTAG® 215	ISO14443A	540 byte	No	Read/Write
NTAG® 216	ISO14443A	924 byte	No	Read/Write
MIFARE® Classic® 1K	ISO14443A	1 KB	No	Read/Write
MIFARE® Classic® 4K	ISO14443A	4 KB	No	Read/Write
MIFARE® Plus® S 1K	ISO14443A	2 KB/4 KB	No	Read/Write
MIFARE Ultralight® EV1	ISO14443A	80 byte	No	Read/Write
MIFARE Ultralight® C	ISO14443A	192 byte	No	Read/Write
ICODE® SLIX	ISO15693	1024 bit	Yes	Read/Write

Available 860-960MHz Chip

Common Chip Types	Protocol	Capacity	Anti-collision	Function
Alien H3	ISO18000-6C	512 bit	Yes	Read/Write

Other chips are also available.

NTAG are registered trademarks of NXP B.V. and are used under license.

ICODE are registered trademarks of NXP B.V. and are used under license.

MIFARE and MIFARE Classic are trademarks of NXP B.V.

MIFARE and MIFARE Ultralight have registered trademarks of NXP B.V. and are used under license.

MIFARE and MIFARE Plus have registered trademarks of NXP B.V. and are used under license.