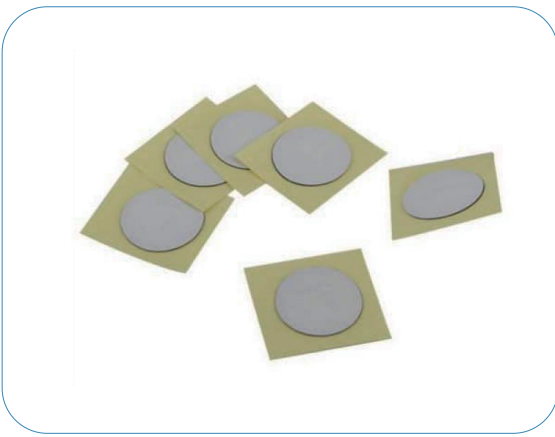


## NTAG213 NFC Anti-metal Tag-spec sheet

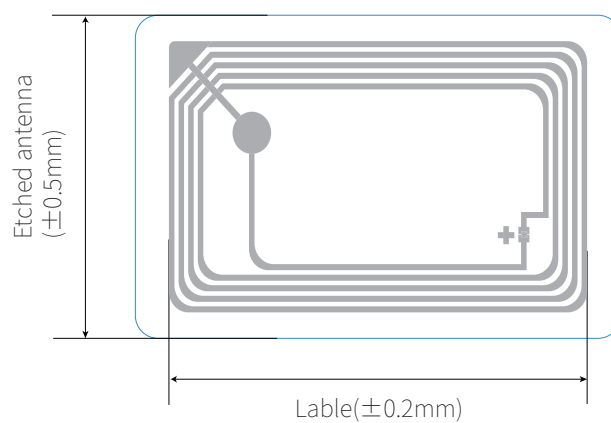
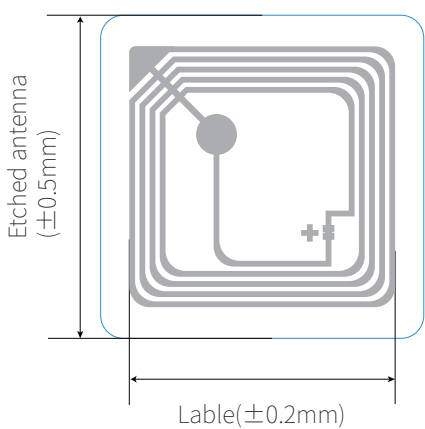
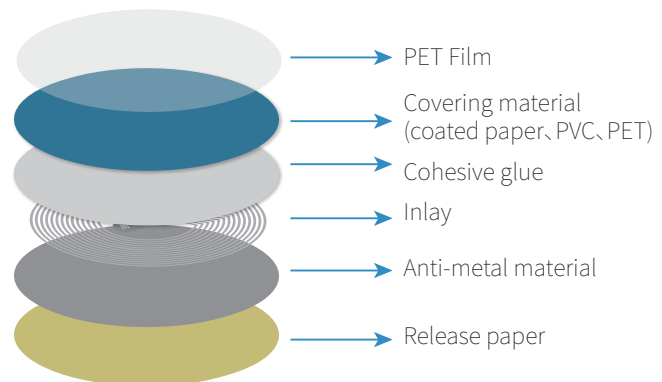
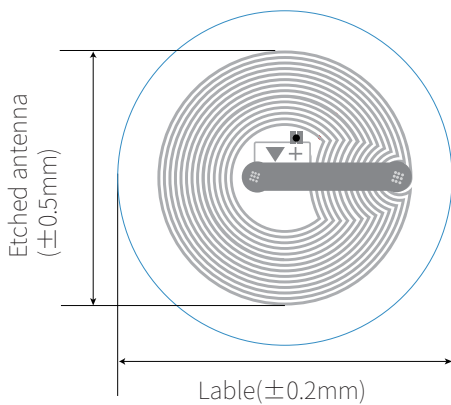


If you're looking for an NFC Anti-metal tag with a good compatibility, NTAG213 NFC Anti-metal tag will definitely meet your requirements.

- This NFC Anti-metal tag supports for almost all devices with NFC capabilities to read.
- Better RF performance, enhanced security and added new features, such as UID mirror functionality.
- Support OEM customized services. You can customize the logo, size, color, and much more according to your needs.
- Fast delivery and good packaging to ensure that they arrive intact and in time.

Parameters					
Item	NTAG213 NFC Anti-metal Tag	Color	Custom	Working Temperature	-20°C ~ 70°C
Optional Material	Paper/ PVC/ PET	Printing Options	Silk-screen printing, Laser Engraving, CMYK full color, Pantone, etc.	Antenna	Aluminum
Chip	NTAG213	Frequency	13.56 MHz	Size	ize available: Round: $\phi$ 20 mm/ $\phi$ 30mm/ $\phi$ 40mm etc Square: 18x18mm/50x50mm etc Rectangle: 40x35mm, 12x20mm, 15x20mm and 15x25mm , 85.5x54 etc
Craft	Security/Anti tearing/QR Code/Bar code/Anti-metal/Adhesive backed				

### Dimensional Diagram



## Available chips

### HF 13.56 MHz Chips

Chip Name	Protocol	Capacity	Frequency
Ntag213	ISO14443A	180 byte	13.56 MHz
Ntag215	ISO14443A	540 byte	13.56 MHz
Ntag216	ISO14443A	924 byte	13.56 MHz
MIFARE Classic 1K	ISO14443A	1 KB	13.56 MHz
MIFARE Classic 4K	ISO14443A	4 KB	13.56 MHz
MIFARE Ultralight EV1	ISO14443A	80 byte	13.56 MHz
MIFARE Ultralight C	ISO14443A	192 byte	13.56 MHz
ICODE SLIX	ISO15693	1024 bits	13.56 MHz

## APPLICATIONS

- asset Management
- payment
- Bluetooth speaker
- inspection management