

Ntag213 Silicone Wristband- spec sheet

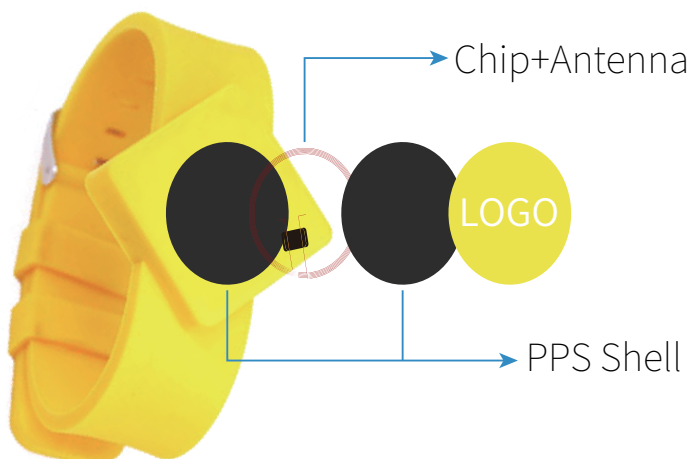
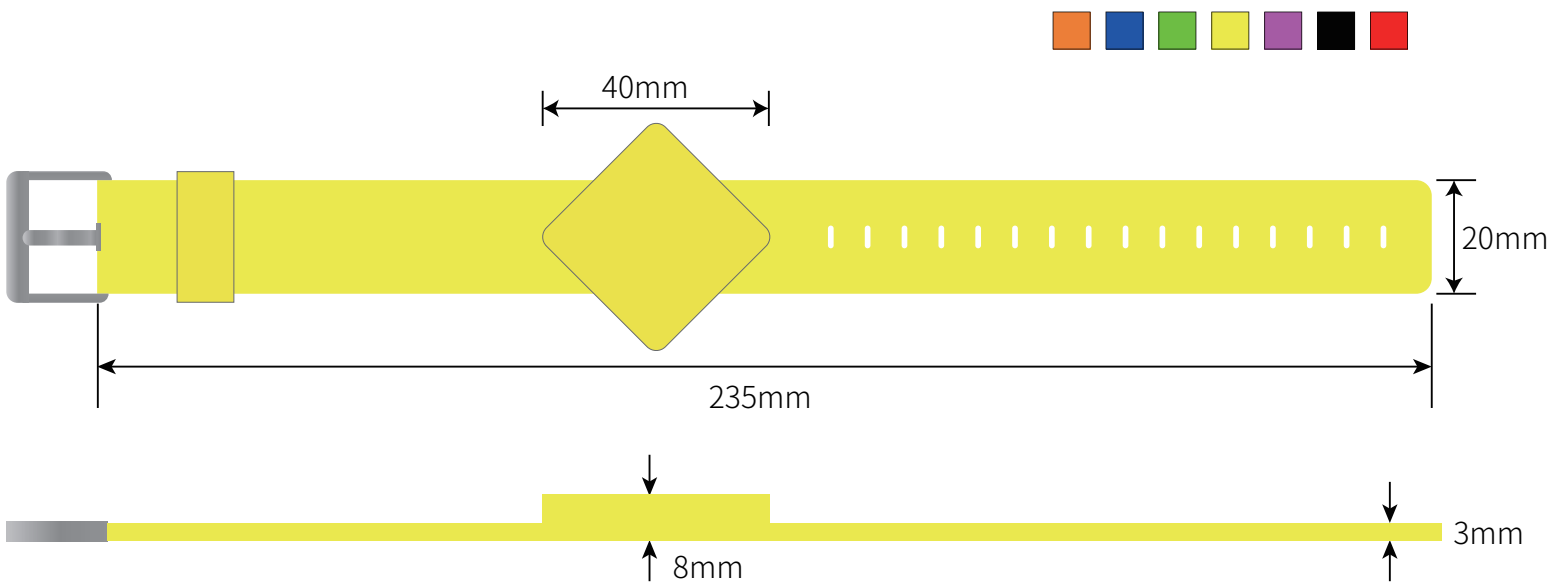


Xinyetong Ntag213 silicone wristband uses FDA level silicone rubber material, non-toxic, non-corrosive, environment-friendly. It can contact our skin intimately and harmlessly, even if the little child wears it, there will be no problems. And thanks to the Ntag213 chip, this NFC silicone wristband has a powerful RF and safety performance, especially suitable for some applications with high-security requirements, such as cashless payment, social interaction, etc.

Parameters

| | | | | | |
|-----------------|----------------------------|------------------|---|---------------------|--|
| Item | Ntag213 Silicone Wristband | Color | Blue, red, white, black, purple, green purple, orange (Customizable) | Working Temperature | -25°C to 65°C |
| Material | Silicone | Size | 235*40*20mm | Data Retention Time | 10 years |
| Write Endurance | 100000 times | Chip | NTAG213 | Eeprom | 2K Byte/4K Byte/8K Byte |
| Frequency | 13.56MHz | Reading Distance | 0-10cm | Crafts Available | Logo or number printing, Bar code, QR code, etc. |
| Protocol | ISO14443A | Printing Options | Silk-screen printing, Laser Engraving, CMYK full color, Pantone, etc. | | |

Dimensional Diagram



Available chips

125KHz Chip

| Common Chip Types | Protocol | Capacity | Anti-collision | Function |
|-------------------|-----------------|----------|----------------|------------|
| TK4100 | ISO 11784/11785 | 64 bits | No | Read Only |
| EM4200 | ISO 11784/11785 | 128 bits | No | Read Only |
| EM4305 | ISO 11784/11785 | 512 bits | No | Read/Write |
| T5577 | ISO 11784/11785 | 330 bits | No | Read/Write |

HF 13.56 MHz Chips

| Chip Name | Protocol | Capacity | Frequency |
|-----------------------|-----------|-----------|-----------|
| Ntag213 | ISO14443A | 180 byte | 13.56 MHz |
| Ntag215 | ISO14443A | 540 byte | 13.56 MHz |
| Ntag216 | ISO14443A | 924 byte | 13.56 MHz |
| MIFARE Classic 1K | ISO14443A | 1 KB | 13.56 MHz |
| MIFARE Classic 4K | ISO14443A | 4 KB | 13.56 MHz |
| MIFARE Ultralight EV1 | ISO14443A | 80 byte | 13.56 MHz |
| MIFARE Ultralight C | ISO14443A | 192 byte | 13.56 MHz |
| ICODE SLIX | ISO15693 | 1024 bits | 13.56 MHz |

860~960 MHz UHF Chips

| Chip Name | Protocol | Capacity | Frequency |
|-----------|-------------|----------|-------------|
| Alien H3 | ISO18000-6C | 512 bits | 860~960 MHz |

Feature

- ▶ Soft and comfortable
- ▶ Durable and will not fade
- ▶ Non-toxic, non-corrosive, environment-friendly
- ▶ Waterproof, shockproof, heat-resisting
- ▶ Stretch freely, and easy to wear
- ▶ Better RF and safety performance
- ▶ Total memory: 180 bytes; User memory: 144 bytes
- ▶ Data retention up to 10 years

APPLICATIONS

- swimming pools
- hospitals
- hotel management
- amusement parks
- exhibitions