

## NTAG213 NFC Bubble Sticker- spec sheet

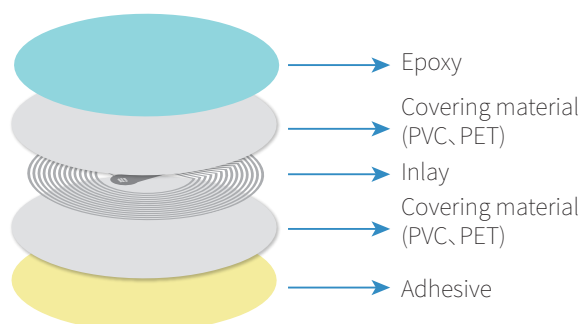
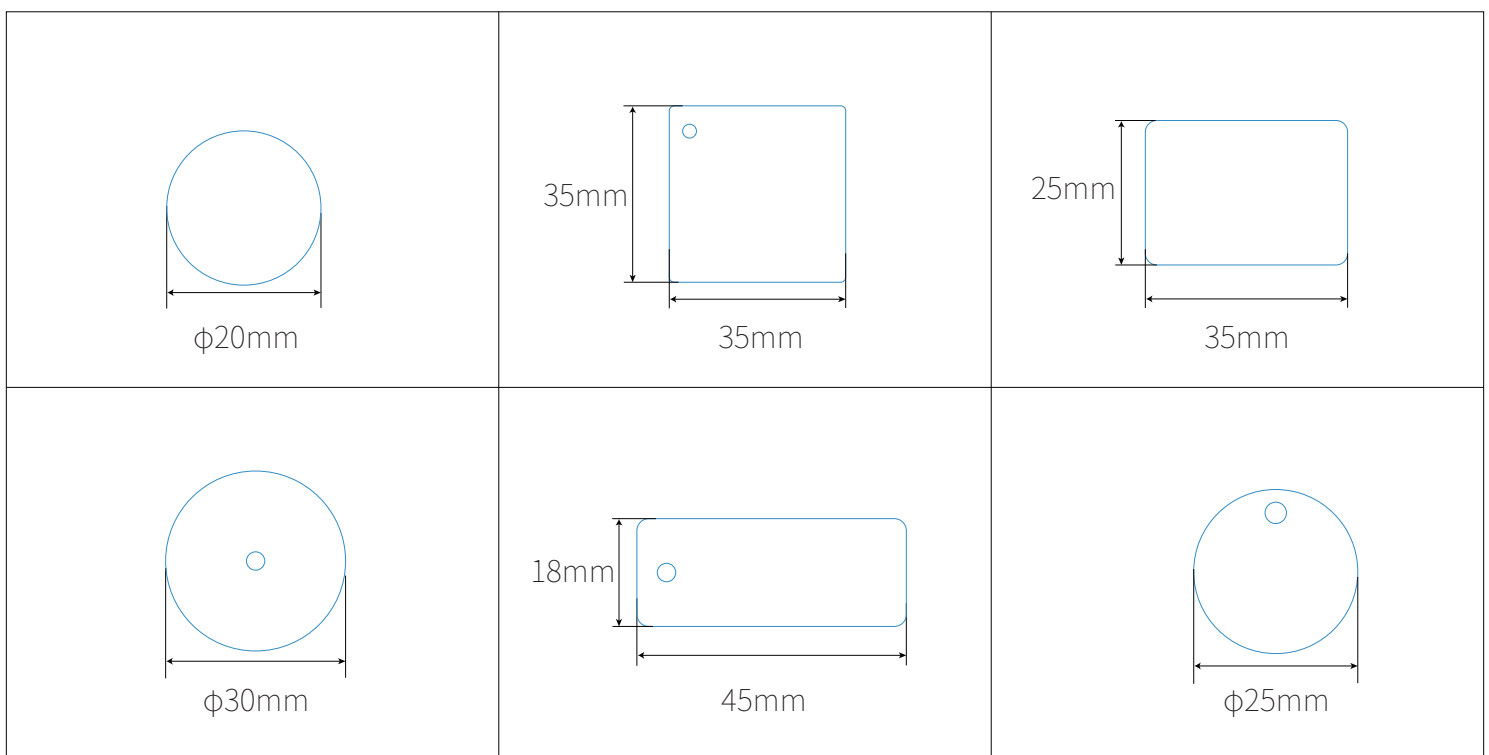


NFC Ntag213 bubble sticker is much special among RFID epoxy tags, which has an adhesive 3M backing. Like all epoxy tags, it has an attractive appearance, like a crystal clear button, small and exquisite. More importantly, you can define what it like, circle, square, heart shape, or animal shape as well as pattern inside it. Besides, the Ntag213 chip plays a central role, giving it higher RF and safety performance.

### Parameters

Item	NFC Ntag213 bubble sticker	Color	Pink, gold, purple, and custom	Working Temperature	-25-65°C
Material	pvc,pet	Size	18*18mm, 30*30.5mm, 35*35mm, 42*42mm, 45*18mm,etc.	Data Retention Time	10 years
Chip	NTAG213	Memory	144 bytes	Printing Options	Silk-screen printing, Laser Engraving, CMYK full color, Pantone, etc.
Frequency	13.56 MHz	Reading Distance	0-10cm	Write Endurance	100000 times
Protocol	ISO14443A				

### Dimensional Diagram



## Available chips

### HF 13.56 MHz Chips

Chip Name	Protocol	Capacity	Frequency
Ntag213	ISO14443A	180 byte	13.56 MHz
Ntag215	ISO14443A	540 byte	13.56 MHz
Ntag216	ISO14443A	924 byte	13.56 MHz
MIFARE Classic 1K	ISO14443A	1 KB	13.56 MHz
MIFARE Classic 4K	ISO14443A	4 KB	13.56 MHz
MIFARE Ultralight EV1	ISO14443A	80 byte	13.56 MHz
MIFARE Ultralight C	ISO14443A	192 byte	13.56 MHz
ICODE SLIX	ISO15693	1024 bits	13.56 MHz

## Feature

- ▶ Operating at 13.56MHz
- ▶ Can be erased and reprogrammed repeatedly
- ▶ 144 bytes of user data
- ▶ Stable performance, safe and reliable
- ▶ Waterproof , shock-proof and drop resistant
- ▶ Attractive appearance, small and exquisite
- ▶ Support DIY, such as shape, pattern
- ▶ Wide application: access control, social interaction, etc.