

## NFC Anti-Metal Tag-spec sheet



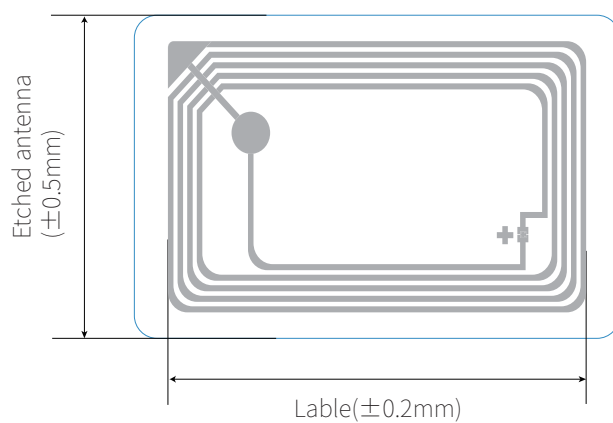
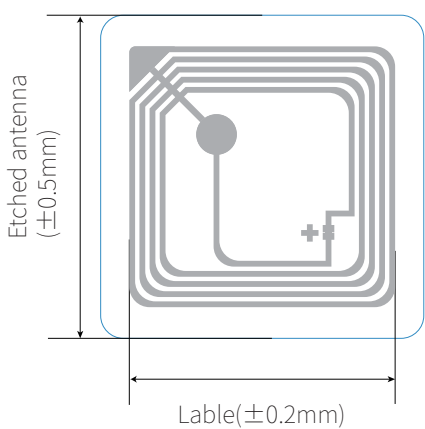
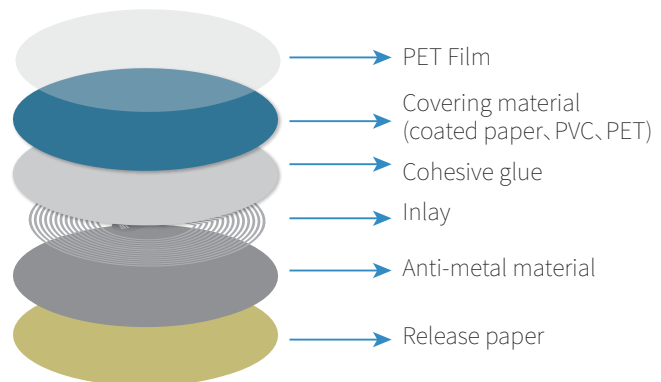
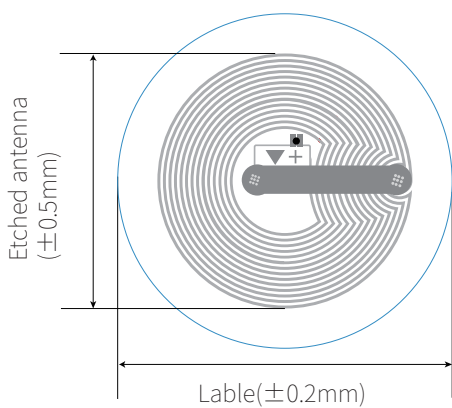
NFC anti-metal tag provides excellent printing protection with glossy thin overlay; laser engraves permanent numbering. Special glue might be used on your project requirement. We can be capable of developing custom anti-metal RFID NFC tags.

Anti Metal NFC Tag with adhesive backing offers good performance after mounted on a metallic surface. The straightforward anti-metal tag provides a fast and direct tagging function for asset management or process control.

### Parameters

Item	NFC Anti-Metal Tag	Color	Custom	Working Temperature	-25°C ~ 60°C
Optional Material	coated paper/PVC/PET etc	Printing Options	Silk-screen printing, Laser Engraving, CMYK full color, Pantone, etc.	Data Retention Time	>10 years
Chip	N-TAG213/215/216,F08, MF S50/S70, etc	Write Endurance	100000 times	Size	Square: 18*18MM/35*35MM/45*45MM Circle: 18MM/20MM/25MM/35MM/40MM/45MM Rectangle: 12*20MM/15*20MM 15*30MM
Frequency	13.56 MHz	Value added	Data encoded, UID list provided		
Protocol	ISO14443A/ISO15693 etc				

### Dimensional Diagram



## Available chips

### HF 13.56 MHz Chips

Chip Name	Protocol	Capacity	Frequency
Ntag213	ISO14443A	180 byte	13.56 MHz
Ntag215	ISO14443A	540 byte	13.56 MHz
Ntag216	ISO14443A	924 byte	13.56 MHz
MIFARE Classic 1K	ISO14443A	1 KB	13.56 MHz
MIFARE Classic 4K	ISO14443A	4 KB	13.56 MHz
MIFARE Ultralight EV1	ISO14443A	80 byte	13.56 MHz
MIFARE Ultralight C	ISO14443A	192 byte	13.56 MHz
ICODE SLIX	ISO15693	1024 bits	13.56 MHz

## APPLICATIONS

- asset Management
- payment
- Bluetooth speaker
- inspection management