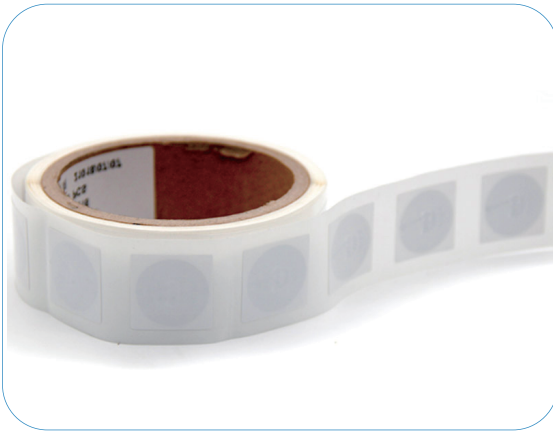


NTAG215 NFC Blank Sticker- spec sheet

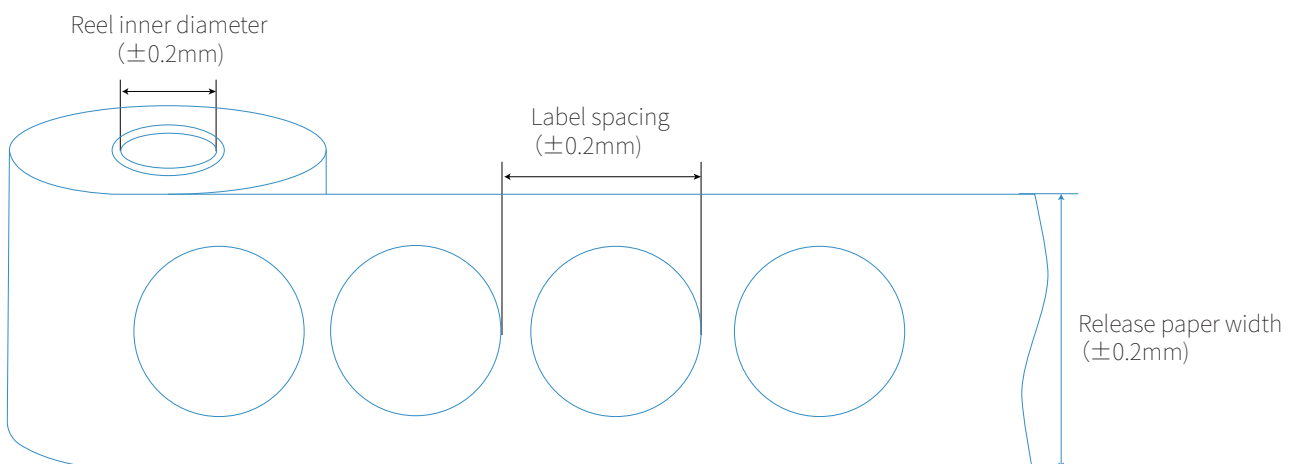
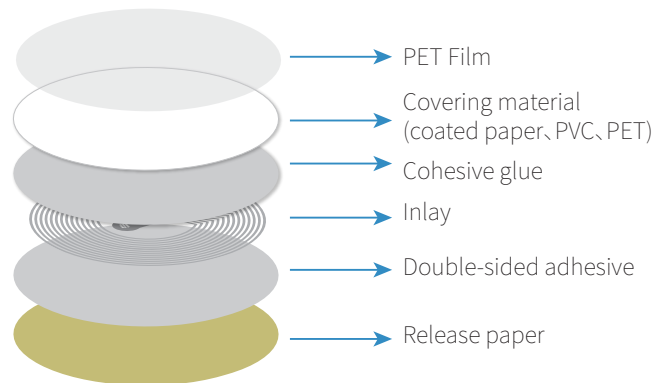
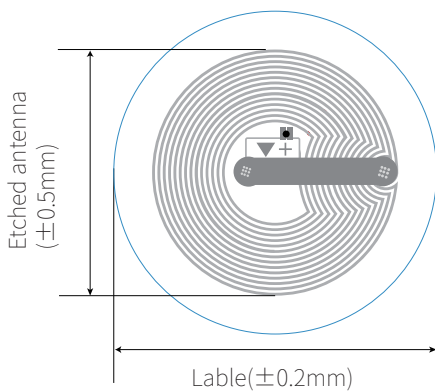


Ntag215 Blank NFC sticker is a kind of high-frequency tag, working on 13.56MHz. It is white without any printing, but it supports for printing that you can print the appropriate art as needed. The Ntag215 chip is the core of this NFC blank sticker, which gives it the vitality of NFC technology, enabling it to achieve many functions, such as access control, social interaction, tracking, payment, etc.

Parameters

Item	NTAG215 NFC Blank Sticker	Color	Pink, gold, purple, and custom	Working Temperature	-25-65°C
Material	Paper	Size	30*30mm, 35*35mm, 45*45mm,etc.	Data Retention Time	10 years
Chip	NTAG215	Memory	504 bytes	Printing Options	Silk-screen printing, Laser Engraving, CMYK full color, Pantone, etc.
Frequency	13.56 MHz	Reading Distance	0-10cm	Write Endurance	100000 times
Protocol	ISO14443A				

Dimensional Diagram



Available chips

HF 13.56 MHz Chips

Chip Name	Protocol	Capacity	Frequency
Ntag213	ISO14443A	180 byte	13.56 MHz
Ntag215	ISO14443A	540 byte	13.56 MHz
Ntag216	ISO14443A	924 byte	13.56 MHz
MIFARE Classic 1K	ISO14443A	1 KB	13.56 MHz
MIFARE Classic 4K	ISO14443A	4 KB	13.56 MHz
MIFARE Ultralight EV1	ISO14443A	80 byte	13.56 MHz
MIFARE Ultralight C	ISO14443A	192 byte	13.56 MHz
ICODE SLIX	ISO15693	1024 bits	13.56 MHz

Feature

- ▶ 100% compatible with NFC-enabled devices
- ▶ Operating frequency of 13.56MHz
- ▶ Operating range up to 100mm (depending on various parameters)
- ▶ Integrated originality signature, providing a simple but powerful product authentication method.
- ▶ Wide application: access control attendance, mobile payments, parking lot, in-store marketing, library, poster, digital multimedia device interaction, etc.
- ▶ 504 bytes of user data; 540 bytes of total data
- ▶ Can be erased and reprogrammed repeatedly
- ▶ More security and stability
- ▶ 32-bit password authentication, better safety performance