

## 30MM CUSTOM PRINT STICKERS WITH NTAG216 NFC CHIP- spec sheet



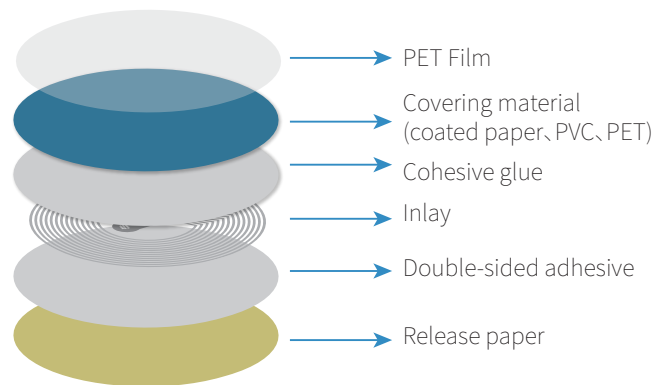
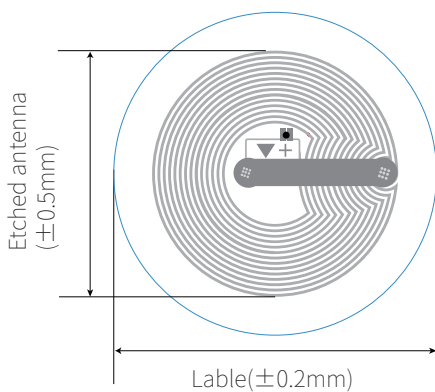
Applications of the 30mm Custom Print Stickers With NTAG216 NFC Chip include Public Transport: subway tickets, bus RFID tickets, access control, identity authentication, payment, product marking, etc.

30mm Custom Print Stickers With NTAG216 NFC Chip utilizes fully the design innovation of high-tech, environmental protection, saving, and is a new era of science and technology achievements.

Printing of 30mm Custom Print Stickers With NTAG216 NFC Chip includes CMYK, RGB, Pantone. All the products could be customized. Our services will never end even after you receive the products.

Parameters					
Material	White Paper, available material: PVC, PET	Color	Pink, gold, purple, and custom	Working Temperature	-30°C to 200°C
Chip	NTAG216	Size	Tag: Diameter 30 mm, Diameter 23 mm	Data Retention Time	10 years
Frequency	13.56 MHz	Memory	888 byte	Printing Options	Silk-screen printing, Laser Engraving, CMYK full color, Pantone, etc.
Protocol	ISO14443A	Reading Distance	1-5cm	Write Endurance	100000 times

### Dimensional Diagram



### APPLICATIONS

- access control, hotel locks, staff attendance, and school campus access and payment control, identification and security systems, parking lot entry and payment, social security management, transportation payment, municipal and ancillary service payment, etc.

## Available chips

### HF 13.56 MHz Chips

Chip Name	Protocol	Capacity	Frequency
Ntag213	ISO14443A	180 byte	13.56 MHz
Ntag215	ISO14443A	540 byte	13.56 MHz
Ntag216	ISO14443A	924 byte	13.56 MHz
MIFARE Classic 1K	ISO14443A	1 KB	13.56 MHz
MIFARE Classic 4K	ISO14443A	4 KB	13.56 MHz
MIFARE Ultralight EV1	ISO14443A	80 byte	13.56 MHz
MIFARE Ultralight C	ISO14443A	192 byte	13.56 MHz
ICODE SLIX	ISO15693	1024 bits	13.56 MHz

## Feature

Highest Quality & Warranty: NFC sticker is manufactured under strict quality control procedures to bring you the best NFC experience.

Made of waterproof PVC material can be placed outdoors or near water without the risk of losing functionality.

### How to use

Easy Operate: You just need to hover your phone over the tag, data will send to your phone directly, No need internal energy, no need battery, no manual pairing. Compatible and programmable with all NFC-enabled cell phones and devices. Simple touch makes your phone much more fun!

100% Compatible With TagMo Amiibo and All NFC-enabled cell phones & other devices

These NFC tags are typically used for contact information such as giving your contact or business information and for security and authentication purposes.

Digitally Immersive Experience: NFC Sticker gives you the ultimate freedom to create an environment where you can save time, effort, and make the most complicated tasks more simple in just one touch. It makes your life more simple and colorful