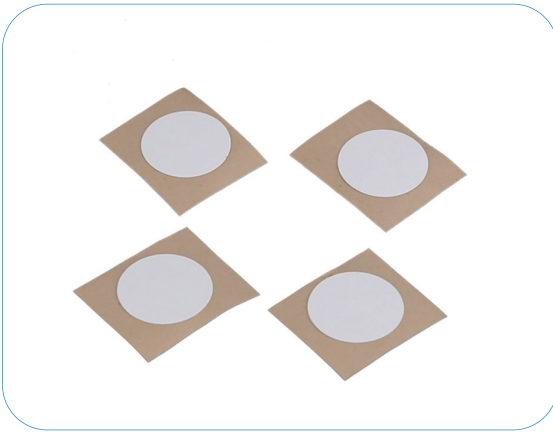


RFID Paper Tag – NTAG213 NFC Blank Sticker-spec sheet

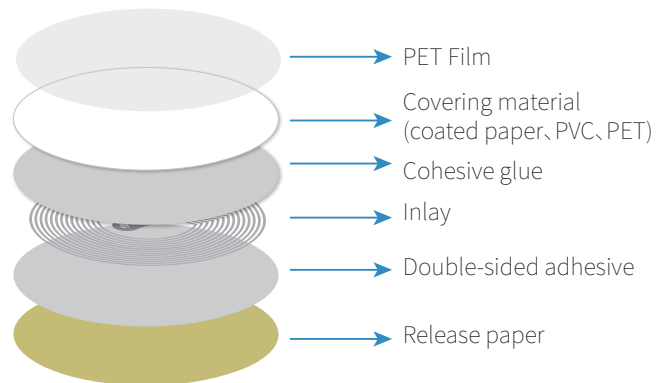
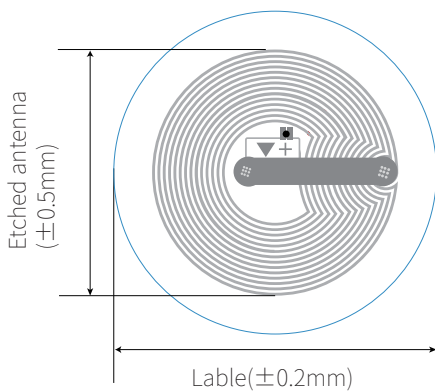


Ntag213 Blank RFID sticker has two main characteristics: white and embedded Ntag213 chip. With a white surface, no printing means it will be cheaper than the printed one. Another benefit is that some of NFC blank stickers support for reprinting, and you can print the appropriate pattern as needed. The Ntag213 chip is the connotation and core of this NFC blank sticker, which gives it the vitality of NFC technology, enabling it to achieve many functions, such as access control, social interaction, tracking, payment, etc.

Parameters

Item	NFC Ntag213 bubble sticker	Color	Pink, gold, purple, and custom	Working Temperature	-25-65°C
Material	Paper	Size	18*18mm, 30*30.5mm, 35*35mm, 42*42mm, 45*18mm,etc.	Data Retention Time	10 years
Chip	NTAG213	Memory	144 bytes	Printing Options	Silk-screen printing, Laser Engraving, CMYK full color, Pantone, etc.
Frequency	13.56 MHz	Reading Distance	0-10cm	Write Endurance	100000 times
Protocol	ISO14443A				

Dimensional Diagram



Feature

- ▶ 100% compatible with NFC-enabled devices
- ▶ Operating frequency of 13.56MHz
- ▶ Operating range up to 100mm (depending on various parameters)
- ▶ Wide application: access control attendance, mobile payments, parking lot, in-store marketing, library, poster, digital multimedia device interaction, etc.
- ▶ Support double-sided printing
- ▶ 144 bytes of user data
- ▶ Can be erased and reprogrammed repeatedly
- ▶ More security and stability

Available chips

HF 13.56 MHz Chips

Chip Name	Protocol	Capacity	Frequency
Ntag213	ISO14443A	180 byte	13.56 MHz
Ntag215	ISO14443A	540 byte	13.56 MHz
Ntag216	ISO14443A	924 byte	13.56 MHz
MIFARE Classic 1K	ISO14443A	1 KB	13.56 MHz
MIFARE Classic 4K	ISO14443A	4 KB	13.56 MHz
MIFARE Ultralight EV1	ISO14443A	80 byte	13.56 MHz
MIFARE Ultralight C	ISO14443A	192 byte	13.56 MHz
ICODE SLIX	ISO15693	1024 bits	13.56 MHz